
RING DETECT RELAY UNIT RR-4904

PRODUCT DESCRIPTION AND INSTALLATION DETAILS

ACMA PERMIT

Design Two Thousand Pty Ltd ACMA Supplier Code: N468
Design Two Thousand Pty Ltd ERAC Responsible Supplier No.: E1287

DESCRIPTION

The Ring Detect Relay Unit RR-4904 is used for switching systems, sirens or strobe lights simply by ringing it (ie. when an incoming telephone call is detected). It can be used on any two wire analog ring in/loop out telephone line and can switch any device that can be activated by a relay contact. The relay-energized state occurs on application of ring voltage and the persistence is set at three seconds after absence of ring.

The unit provides one changeover relay contact (handling up to 2.5A @ 12V) in a small stand-alone enclosure. Industry standard connectors are provided for the telephone line, 12Vdc power input and the relay output (normally open or normally closed contacts). LED indicators for power and relay on are also provided.

Available in 9V, 12V, 24V and 48V versions, it is also available in a 10 port 19" rack mount version.

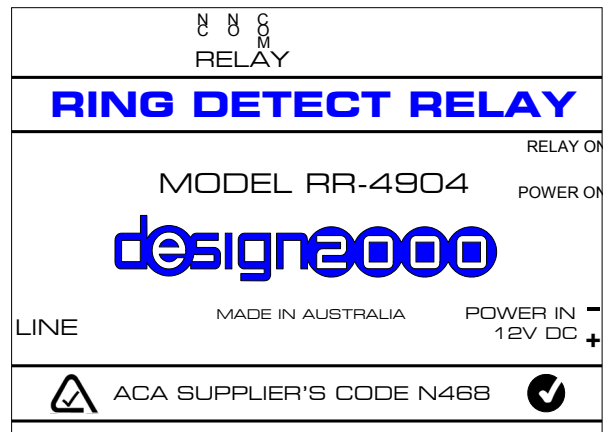
The RR-4904 is such a simple yet useful device for so many applications. It can be used to light up a strobe to indicate an incoming call in noisy environments, activate a siren, or perform other control functions (without even answering-at no cost!) just to name a few.

The RR-4904 stand-alone enclosure is 110mm x 85mm x 50mm. An optional 2RU mounting bracket is available.

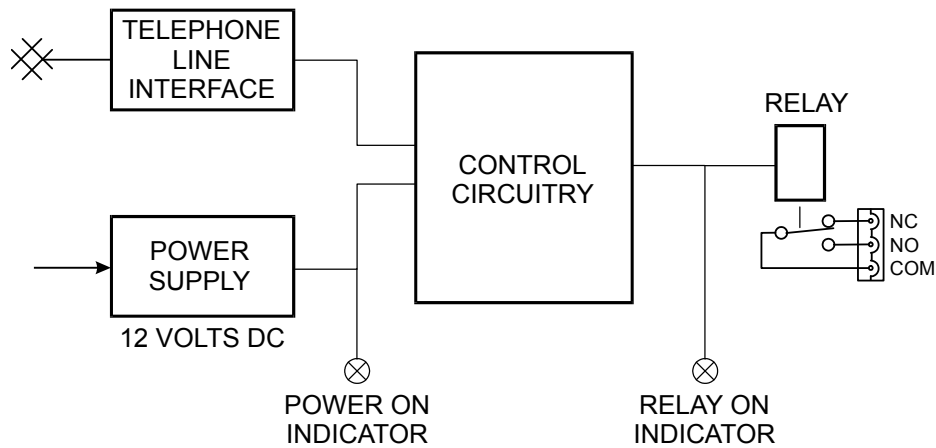
CONNECTION

| Connector | Type | Description | Pin |
|----------------|------------------------------|-----------------|--------------|
| Telephone Line | RJ12 Modular | Pair 1 | Pins 3 & 4 |
| 12Vdc Power | BL2 Screw/Clamp Pluggable | Positive | Pin 1 |
| | | Negative | Pin 2 |
| Relay | BL3 Screw/Clamp Pluggable | Normally Open | Pins 1 and 2 |
| | | Normally Closed | Pins 1 and 3 |

FRONT PANEL DIAGRAM



BLOCK DIAGRAM



PART NUMBERS

RR-4904 Ring Detect Relay Unit (available in 9V, 12V, 24V and 48V versions)
 MB-4775/9 2RU Mounting Bracket

Designed and Manufactured in Australia

design2000

Design Two Thousand Pty Ltd
 Melbourne Australia

Telephone: 03 9758 5933
 Email: info@design2000.com.au

Facsimile: 03 9758 5560
 Web site: www.design2000.com.au



N468

