
OFF HOOK DETEC RELAY UNIT RR-4904OHD

--- OFF-HOOK DETECT VERSION ---

PRODUCT DESCRIPTION AND INSTALLATION DETAILS

ACMA PERMIT

Design Two Thousand Pty Ltd ACMA Supplier Code: **N468**
Design Two Thousand Pty Ltd ERAC Responsible Supplier No.: **E1287**

DESCRIPTION

The Off Hook Detect Relay Unit RR-4904OHD is used for switching systems, sirens or strobe lights whenever you have your analogue phone off the hook (ie. when you are on a call). It can be used on any two wire analogue ring in/loop out telephone line and can switch any device that can be activated by a relay contact. The relay-energized state occurs when telephone is off hook and line loop current flows. The persistence is set at about one second after hang up to prevent false triggers.

The unit provides one changeover relay contact (handling up to 2.5A @ 12V) in a small stand-alone enclosure. Industry standard connectors are provided for the telephone line and telephone, 12Vdc power input and the relay output (normally open or normally closed contacts). LED indicators for power and relay on are also provided.

It is also available in a 10 port 19" rack mount version.

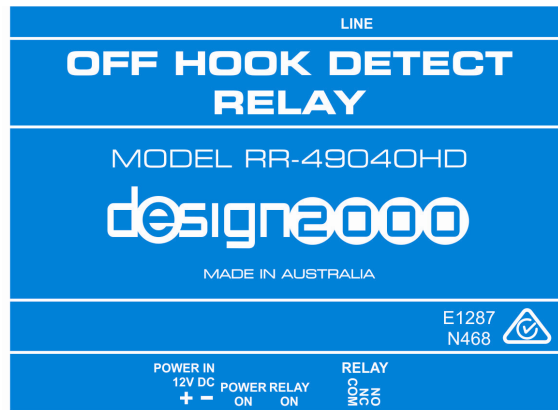
The RR-4904OHD is such a simple yet useful device for so many applications. It can be used to light up a strobe to indicate that you are on a call, activate a siren by picking up the phone, or perform other control functions just to name a few.

The RR-4904OHD stand-alone enclosure is 110mm x 85mm x 50mm. An optional 2RU mounting bracket is available.

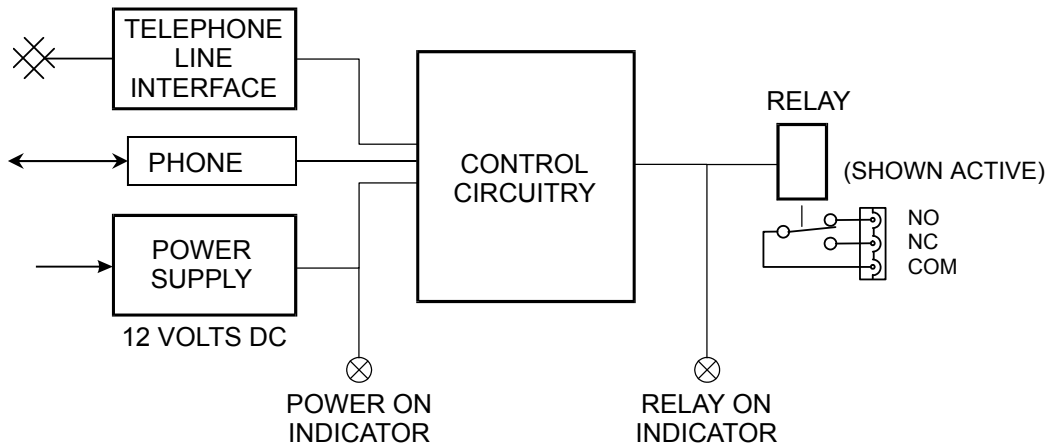
CONNECTION

Connector	Type	Description	Pin
Telephone Line	RJ12 Modular	Pair 1	Pins 3 & 4
Telephone	Parallel double adaptor	Pair 1 (in parallel)	Pins 3 & 4
12Vdc Power	BL2 Screw/Clamp Pluggable	Positive	Pin 1
		Negative	Pin 2
Relay	BL3 Screw/Clamp Pluggable	Normally Open	Pins 1 and 3
		Normally Closed	Pins 1 and 2

FRONT PANEL DIAGRAM



BLOCK DIAGRAM



PART NUMBERS

- RR-4904OHD Off Hook Detect Relay Unit – Off Hook Detect Version
(Ring Detect Version also available)
- MB-4775/9 2RU Mounting Bracket

Designed and Manufactured in Australia

design2000

Design Two Thousand Pty Ltd
Melbourne Australia

Telephone: 03 9758 5933
Email: info@design2000.com.au

Facsimile: 03 9758 5560
Web site: www.design2000.com.au



N468
E1287